



Full Complement Cylindrical Roller Bearings

C a t a l o g u e : F C S 1 3 / 0 4 L



BRIDGE TO QUALITY



- **SINCE 2005**
- **PRODUCTION IN ISO 9001, ISO 19001 AND ISO 14004 CERTIFIED FACTORIES**
- **PRODUCTION ACCORDING TO ISO/DIN**
- **WIDEST RANGE AVAILABLE: STANDARDS ACCORDING TO DRAWING**
- **KEY FOCUS AREAS:**
 - Mining
 - Heavy Industry
 - Crane Industry
 - OEM Contractors
 - Replacement Market

INDEX

PAGE

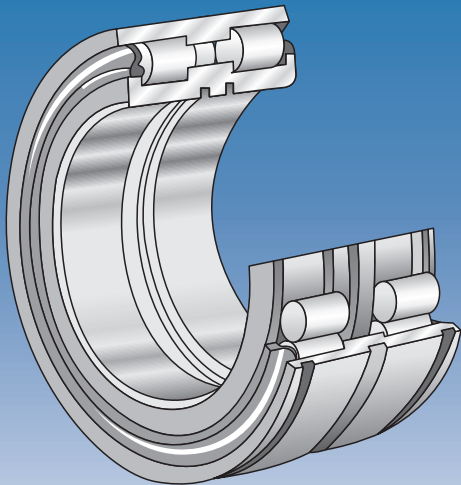


Full Complement Cylindrical Roller Bearings

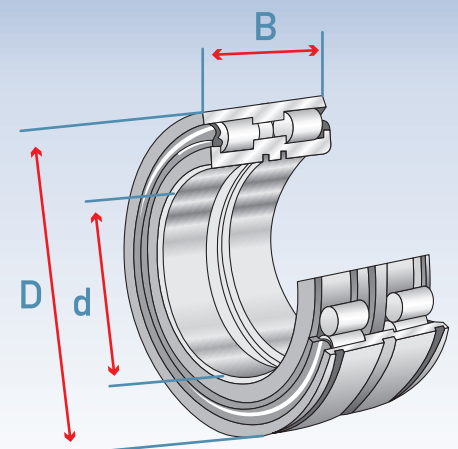
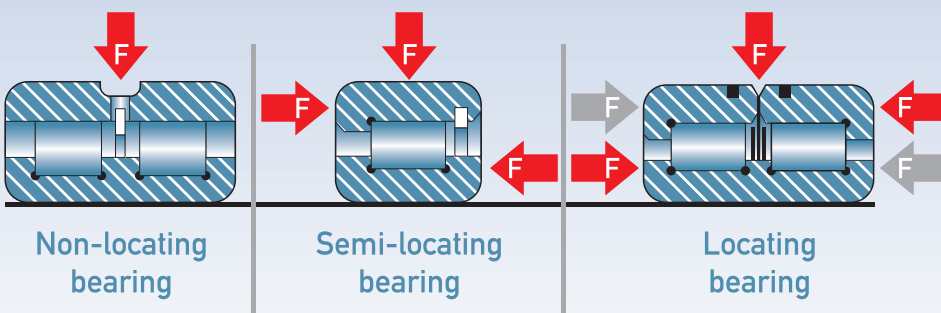
MTK+	3
Serie SLO4 50xx PP	4
Serie SLO4 xx PP	6
Serie SL18 18xx	7
Serie SL18 22xx	9
Serie SL18 29xx	11
Serie SL18 30xx	14
Serie SL19 23xx	17
Serie SL18 50xx	19
Serie SLO1 48xx	22
Serie SLO1 49xx	24
Serie SLO2 48xx	26
Serie SLO2 49xx	28

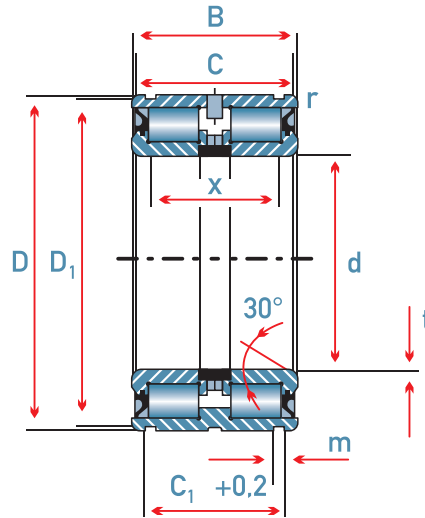
FULL COMPLEMENT CYLINDRICAL ROLLER BEARINGS

SL04 50xx PP WITH SNAP RING GROOVE
 SL04 1xxx PP
 SL04 2xxx PP



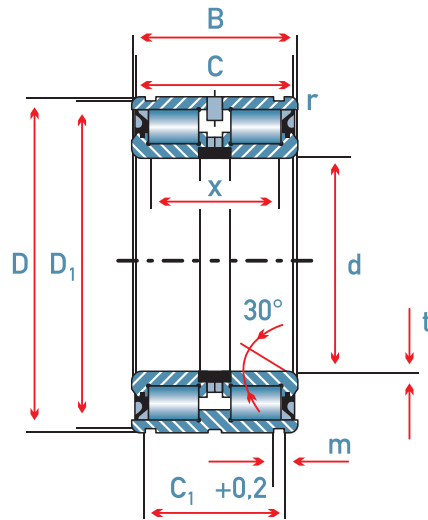
- Full complement and rib guided cylindrical roller bearings
- Sealed on both sides and filled with grease
- The outer sealing lip exerts a slight pressure on the outer ring raceway. The operating temperature range for the seals is -30 to $+80$ °C
- The two inner rings have three integral flanges and is held together by a retaining ring
- Able to accommodate tilting moments
- The outer ring is 1 mm narrower than the inner ring and has two snap ring grooves
- High dynamic and static load carrying capacity
- Dimensions: from $d=20$ mm to $D=460$ mm





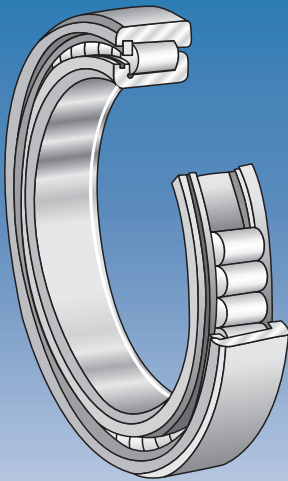
SL04 50xx PP WITH SNAP RING GROOVE
 SL04 1xx PP
 SL04 2xx PP

Dimensions														Designation	Load ratings		Speed limit	Retaining ring	Locating ring DIN 471	mass (kg)	
d	D	B	C	C1 +0.2	Ca ₁	Ca ₂	D ₁	d ₁	d ₂	d ₃	m	r min	t		x	dyn. Cr (kN)	stat. C _{0r} (kN)				nG (min ⁻¹)
20	42	30	29	24.7	21.5	21	40.2	31	34	47	1.8	0.3	0.5	22.5	SL04 5004 PP	40.5	49	4000	WRE 42	42 x 1.75	0.2
25	47	30	29	24.7	21.5	21	45.2	35.5	39	52	1.8	0.3	0.5	22.5	SL04 5005 PP	44.5	58	3600	WRE 47	47 x 1.75	0.24
30	55	34	33	28.2	25	24	53	41	44	60	2.1	0.3	0.5	25.5	SL04 5006 PP	50	67	3000	WRE 55	55 x 2	0.37
35	62	36	35	30.2	27	26	60	46.5	50	67	2.1	0.3	0.5	27.5	SL04 5007 PP	63	88	2600	WRE 62	62 x 2	0.48
40	68	38	37	32.2	28	27	65.8	51.5	55	75	2.7	0.6	0.8	28.5	SL04 5008 PP	76	103	2400	WRE 68	68 x 2.5	0.56
45	75	40	39	34.2	30	29	72.8	57.5	61	82	2.7	0.6	0.8	30.5	SL04 5009 PP	92	130	2200	WRE 75	75 x 2.5	0.7
50	80	40	39	34.2	30	29	77.8	62	66	87	2.7	0.6	0.8	30.5	SL04 5010 PP	97	142	2000	WRE 80	80 x 2.5	0.76
55	90	46	45	40.2	35	34	87.4	69	73	99	3.2	0.6	1	36	SL04 5011 PP	115	175	1800	WRE 90	90 x 3	1.18
60	95	46	45	40.2	35	34	92.4	74	79	104	3.2	0.6	1	36	SL04 5012 PP	120	189	1700	WRE 95	95 x 3	1.26
65	100	46	45	40.2	35	34	97.4	79	84	109	3.2	0.6	1	36	SL04 5013 PP	125	203	1600	WRE 100	100 x 3	1.33
70	110	54	53	48.2	43	40	107.1	85	91	119	4.2	0.6	1	42	SL04 5014 PP	168	265	1400	WRE 110	110 x 4	1.87
75	115	54	53	48.2	43	40	112.1	90	97	124	4.2	0.6	1	42	SL04 5015 PP	194	300	1400	WRE 115	115 x 4	1.96
80	125	60	59	54.2	49	46	122.1	97.5	105	137	4.2	0.6	1.5	48	SL04 5016 PP	203	325	1300	WRE 125	125 x 4	2.71
85	130	60	59	54.2	49	46	127.1	104.5	112	142	4.2	0.6	1.5	48	SL04 5017 PP	211	350	1200	WRE 130	130 x 4	2.83
90	140	67	66	59.2	54	51	137	109.5	118	152	4.2	0.6	1.5	54	SL04 5018 PP	305	510	1100	WRE 140	140 x 4	3.71
95	145	67	66	59.2	54	51	142	114	122	157	4.2	0.6	1.5	54	SL04 5019 PP	315	530	1100	WRE 145	145 x 4	3.88
100	150	67	66	59.2	54	51	147	118	128	162	4.2	0.6	1.5	54	SL04 5020 PP	330	550	1000	WRE 150	150 x 4	3.95
110	170	80	79	70.2	65	62	167	132	143	182	4.2	0.6	1.8	64	SL04 5022 PP	395	680	900	WRE 170	170 x 4	6.57
120	180	80	79	71.2	65	63	176	141.5	153	196	4.2	0.6	1.8	64	SL04 5024 PP	410	740	900	WRE 180	180 x 4	7.04
130	200	95	94	83.2	77	75	196	157	170	216	4.2	0.6	1.8	77	SL04 5026 PP	540	960	800	WRE 200	200 x 4	10.5
140	210	95	94	83.2	77	73	206	166	181	226	5.2	0.6	1.8	77	SL04 5028 PP	610	1100	750	WRE 210	210 x 5	11.1
150	225	100	99	87.2	81	77	221	176	192	245	5.2	0.6	2	80	SL04 5030 PP	710	1260	700	WRE 225	225 x 5	13.3
180	240	109	108	95.2	89	85	236	189.5	207	260	5.2	0.6	2	89	SL04 5032 PP	740	1360	650	WRE 240	240 x 5	16.6
170	260	122	121	107.2	99	97	254	201	220	282	5.2	0.6	2	100	SL04 5034 PP	960	1750	600	WRE 260	260 x 5	22.6
180	280	136	135	118.2	110	108	274	218.5	239	302	5.2	0.6	2	112	SL04 5036 PP	1140	2130	550	WRE 280	280 x 5	30.1
190	290	135	135	118.2	110	108	284	226	248	312	5.2	0.6	2	112	SL04 5038 PP	1160	2210	550	WRE 290	290 x 5	31.5
200	310	150	149	128.2	120	116	304	243.5	267	336	6.3	0.6	2	112	SL04 5040 PP	1350	2600	500	WRE 310	310 x 6	40.8
220	340	160	159	138.2	130	126	334	260.5	286	366	6.3	1	2	132	SL04 5044 PP	1570	3050	480	WRE 340	340 x 6	52.2
240	360	160	159	138.2	130	126	354	279.5	305	386	6.3	1	2	132	SL04 5048 PP	1630	3300	440	WRE 360	360 x 6	56
260	400	190	189	162.2	154	150	394	305.5	336	426	6.3	1.1	3	150	SL04 5052 PP	2380	4700	400	WRE 400	400 x 6	84.5
280	420	190	189	163.2	154	149	413	321.5	354	453	7.3	1.1	3	150	SL04 5056 PP	2600	5200	380	WRE 420	420 x 7	90
300	460	218	218	185.2	176	171	453	347.5	375	493	7.3	1.1	3	170	SL04 5060 PP	3000	5800	340	WRE 460	460 x 7	126

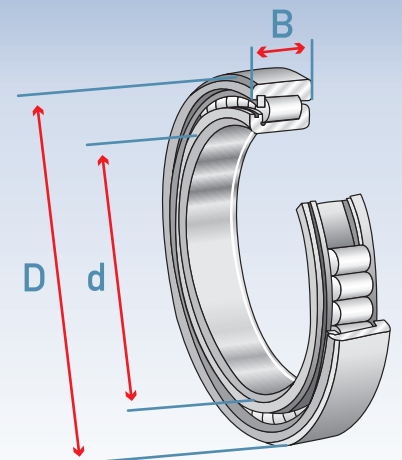
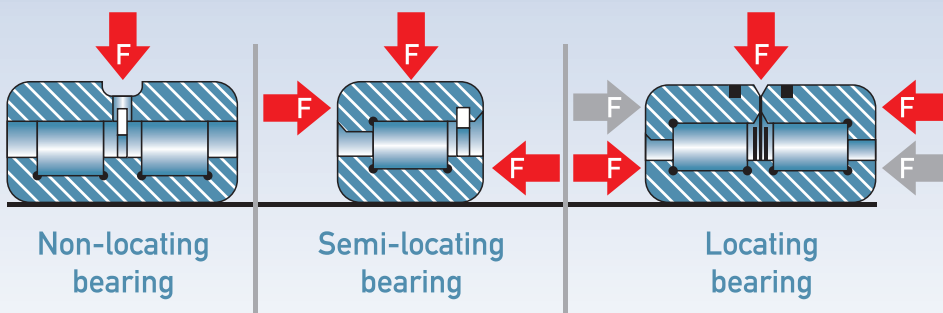


SL04 50xx PP WITH SNAP RING GROOVE
 SL04 1xx PP
 SL04 2xx PP

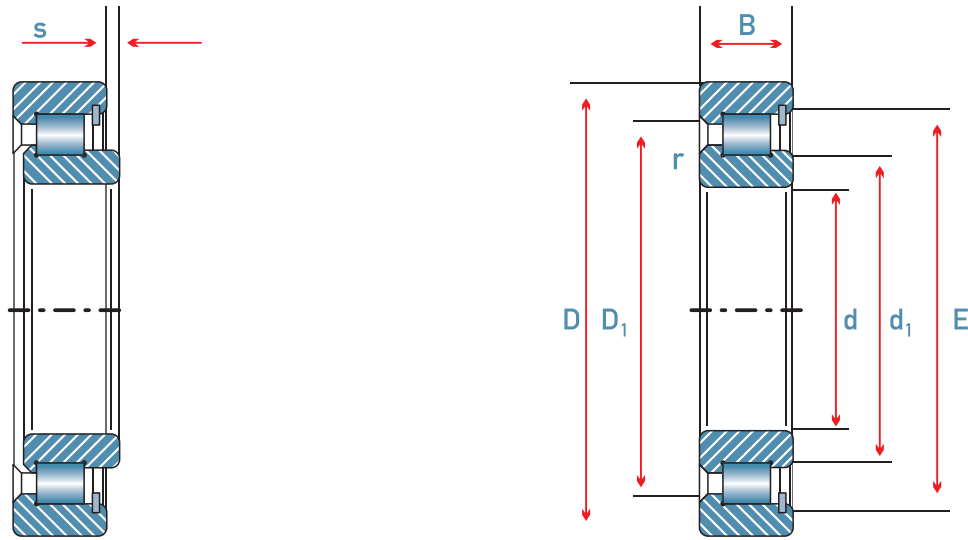
Dimensions															Designation	Load ratings		Speed limit	Retaining ring	Locating ring DIN 471	mass (kg)
d	D	B	C	C1 +0.2	Ca ₁	Ca ₂	D ₁	d ₁	d ₂	d ₃	m	r min	t	x		dyn. Cr (kN)	stat. C _{0r} (kN)	nG (min ⁻¹)			
LIGHT SERIES																					
130	190	80	79	71.2	65	63	186	151	160	206	4.2	0.6	1.8	64	SL04 130 PP	430	790	800	WRE 190	190 x 4	7.5
140	200	80	79	71.2	65	63	196	160.5	170	216	4.2	0.6	1.8	64	SL04 140 PP	445	840	750	WRE 200	200 x 4	8
150	210	80	79	71.2	65	61	206	175	185	226	5.2	0.6	1.8	64	SL04 150 PP	465	920	700	WRE 210	210 x 5	8.4
160	220	80	79	71.2	65	61	216	184.5	196	236	5.2	0.6	1.8	64	SL04 160 PP	480	970	700	WRE 220	220 x 5	8.8
170	230	80	79	71.2	65	61	226	194.5	206	250	5.2	0.6	1.8	64	SL04 170 PP	490	1030	650	WRE 230	230 x 5	9.3
180	240	80	79	71.2	65	61	236	203.5	216	260	5.2	0.6	1.8	64	SL04 180 PP	500	1080	600	WRE 240	240 x 5	9.8
190	260	80	79	73.2	65	63	254	218	231	282	5.2	0.6	1.8	64	SL04 190 PP	520	1130	550	WRE 260	260 x 5	12.7
200	270	80	79	73.2	65	63	264	227.5	241	292	5.2	0.6	1.8	34	SL04 200 PP	540	1210	550	WRE 270	270 x 5	13.2
220	300	95	94	83.2	75	73	294	249	264	322	5.2	1	2	72	SL04 220 PP	700	1550	480	WRE 300	300 x 5	19.5
240	320	95	94	83.2	75	71	314	272	287	346	6.3	1	2	72	SL04 240 PP	740	1700	480	WRE 320	320 x 6	21
260	340	95	94	83.2	75	71	334	293	310	366	6.3	1	3	75	SL04 260 PP	840	1990	440	WRE 340	340 x 6	22.5
300	380	95	94	83.2	75	71	374	328.5	346	406	6.3	1	3	75	SL04 300 PP	900	2250	380	WRE 380	380 x 6	25.5



- Semi-locating bearing with rib guided rollers, consists of massive two integral flanges on the inner ring and one integral flange on the outer ring, full complement without cage
- Can support axial forces in one direction, other side acts like non-locating bearing, a retaining ring at the flangeless side of the outer ring holds the bearing assembly together
- High dynamic and static load carrying capacity
- Dimensions: from $d=150$ mm to $D=1220$ mm



FULL COMPLEMENT CYLINDRICAL ROLLER BEARINGS

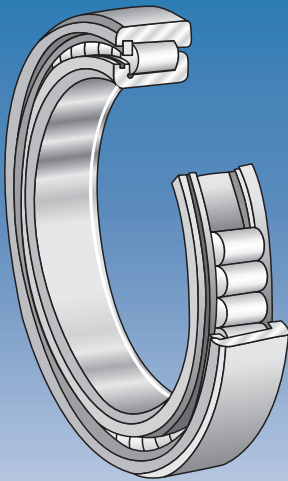
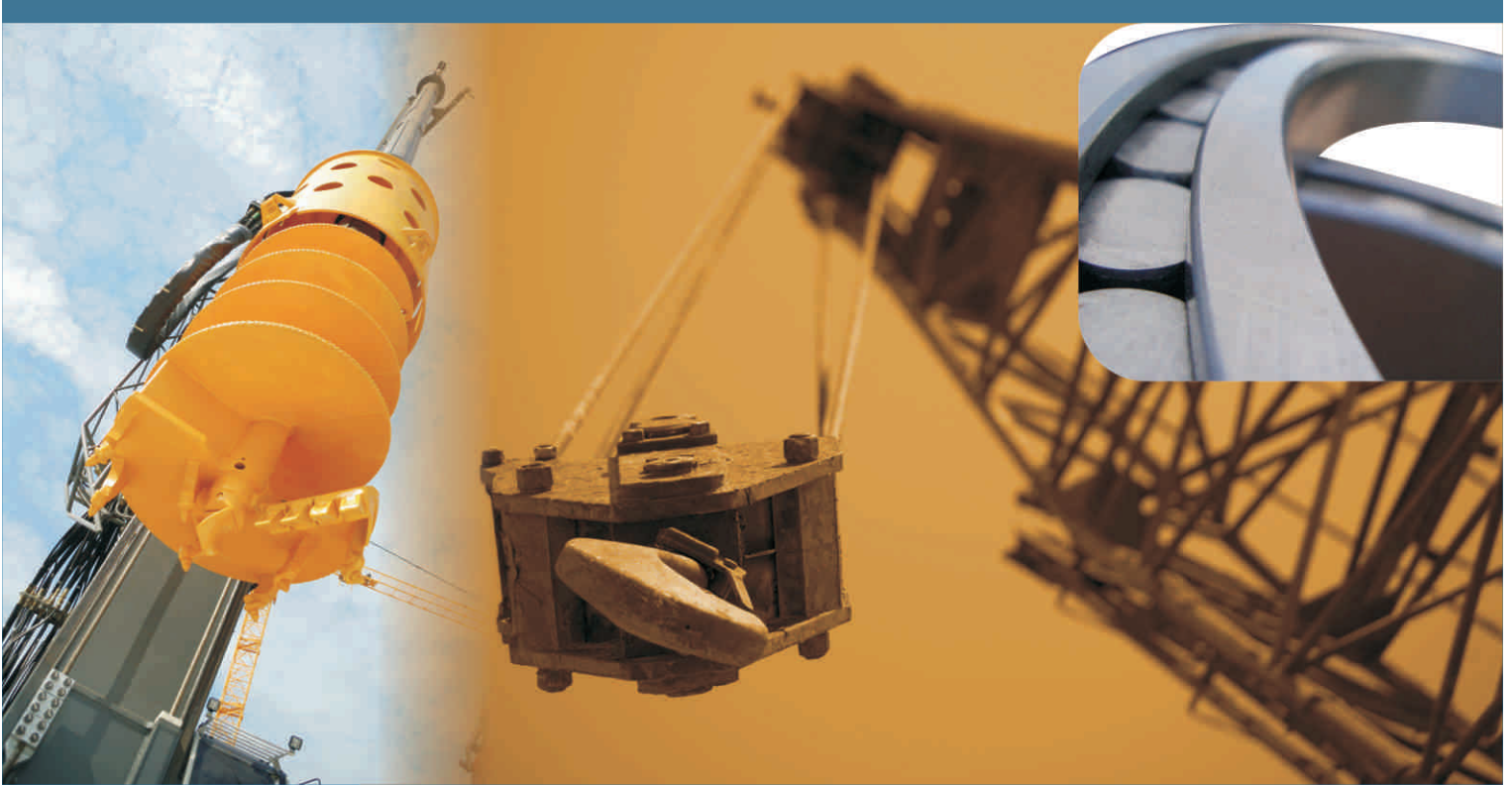


SL18 18xx SEMI LOCATING WITH SINGLE ROW

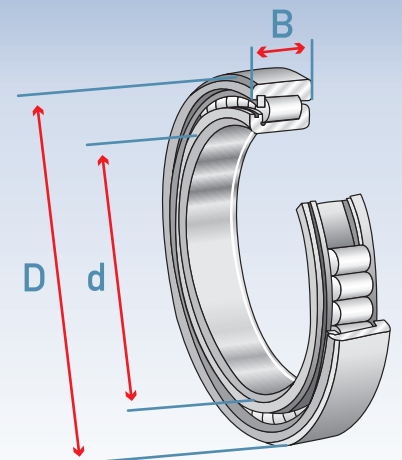
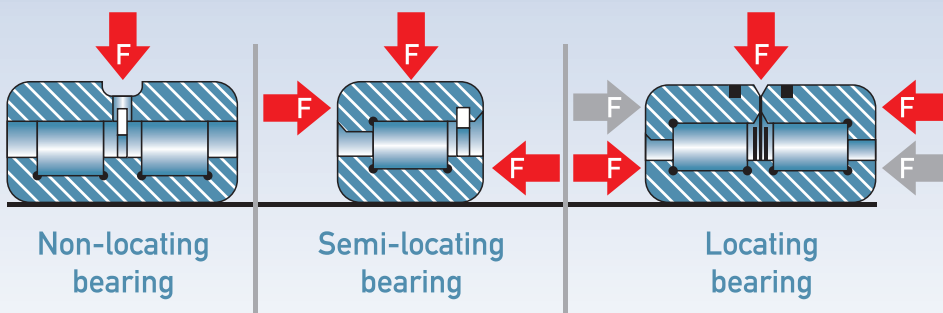
Dimensions								Designation	Radial load ratings		Speed limit	mass (kg)
d	D	B	r _{min}	s ₁	d ₁	D ₁	E		dyn. Cr (kN)	stat. C _{0r} (kN)	nG (min ⁻¹)	
150	190	20	1	1,5	163	176	179,5	SL18 1830	115	220	2400	1,3
160	200	20	1	1,5	173	185	189	SL18 1832	120	231	2150	1,45
180	225	22	1	1,5	196	211	215,2	SL18 1836	153	282	1905	1,95
200	250	24	1,5	2	216,6	231,6	237,6	SL18 1840	183	330	1400	2,57
220	270	24	1,5	2	237,3	252,3	258,5	SL18 1844	192	365	1300	2,8
240	300	28	2	3	260,5	281	287,5	SL18 1848	224	435	1200	4,4
260	320	28	2	3	281	301,5	308	SL18 1852	234	475	1100	4,71
280	350	33	2	3	304	327	335	SL18 1856	315	620	1000	7
300	380	38	2,1	3,5	323,5	350,5	360	SL18 1860	380	750	950	10
320	400	38	2,1	4,5	344,5	371,5	381	SL18 1864	390	800	900	10,6
340	420	38	2,1	4,5	365,5	392,5	402,2	SL18 1868	405	840	850	11,2
360	440	38	2,1	4,5	387	413,5	423,5	SL18 1872	426	890	800	11,7
380	480	46	2,1	6	415,5	448	459	SL18 1876	590	1190	750	19,2
400	500	46	2,1	6	432	464,5	475,5	SL18 1880	600	1260	700	20
420	520	46	2,1	6	457	489,5	500	SL18 1884	620	1310	700	20,9
440	540	46	2,1	6	473,5	506	517	SL18 1888	630	1380	650	21,8
460	580	56	3	7	501,5	541	554	SL18 1892	790	1680	600	33,9
480	600	56	3	7	522	561	573,5	SL18 1896	810	1740	600	35,2
500	620	56	3	7	542	581,5	594,5	SL18 18/500	830	1830	600	35,73
530	650	56	3	7	572	614	624,5	SL18 18/530	990	2240	600	37,5
560	680	56	3	7	603	645	655	SL18 18/560	1020	2360	600	40,5
600	730	60	3	7	644	686	696	SL18 18/600	1140	2680	600	49,5
630	780	69	4	7	680	728	739	SL18 18/630	1470	3400	600	70
670	820	69	4	7	724	772	783	SL18 18/670	1520	3550	600	72,7
710	870	74	4	8	766	818	831	SL18 18/710	1560	3780	460	90
750	920	78	5	8	810	867	880	SL18 18/750	1790	4350	430	110
800	980	82	5	9	863	922	936	SL18 18/800	1950	4830	410	130
850	1030	82	5	9	911	972	986	SL18 18/850	2100	5300	390	135
900	1090	85	5	9	966	1029	1044	SL18 18/900	2250	5790	365	160
950	1150	90	5	10	1021	1087	1103	SL18 18/950	2450	6380	340	185
1000	1220	100	6	12	1073	1148	1165	SL18 18/1000	2950	7560	315	230

FULL COMPLEMENT CYLINDRICAL ROLLER BEARINGS

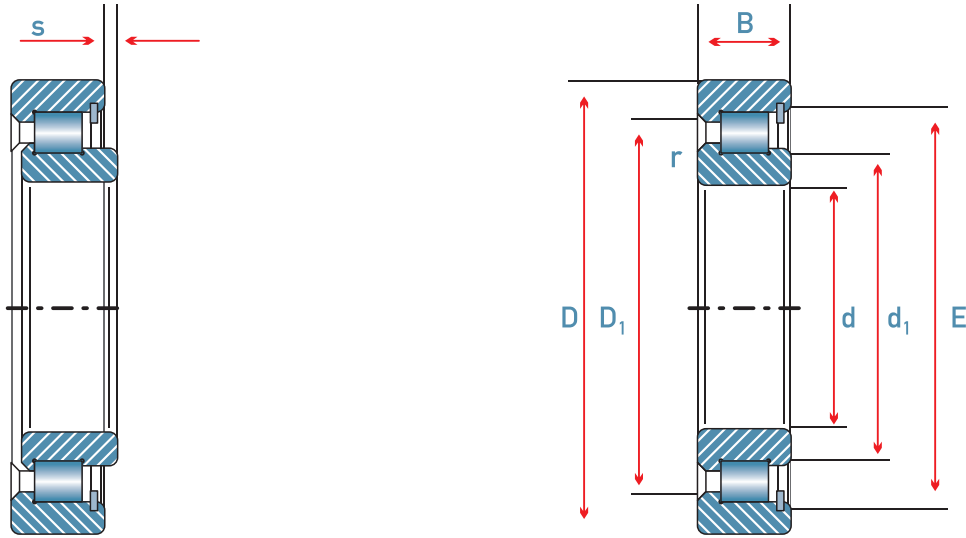
SL18 22xx SEMI LOCATING WITH SINGLE ROW



- Semi-locating bearing with rib guided rollers, consists of massive two integral flanges on the inner ring and one integral flange on the outer ring, full complement without cage
- Can support axial forces in one direction, other side acts like non-locating bearing, a retaining ring at the flangeless side of the outer ring holds the bearing assembly together
- High dynamic and static load carrying capacity
- **Dimensions:** from $d=20$ mm to $D=400$ mm



FULL COMPLEMENT CYLINDRICAL ROLLER BEARINGS

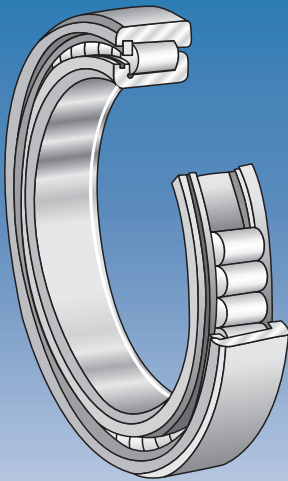


SL18 22xx SEMI LOCATING WITH SINGLE ROW

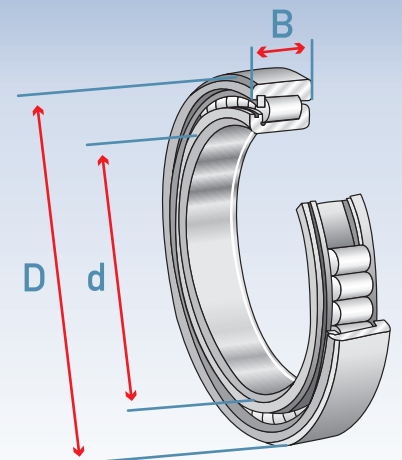
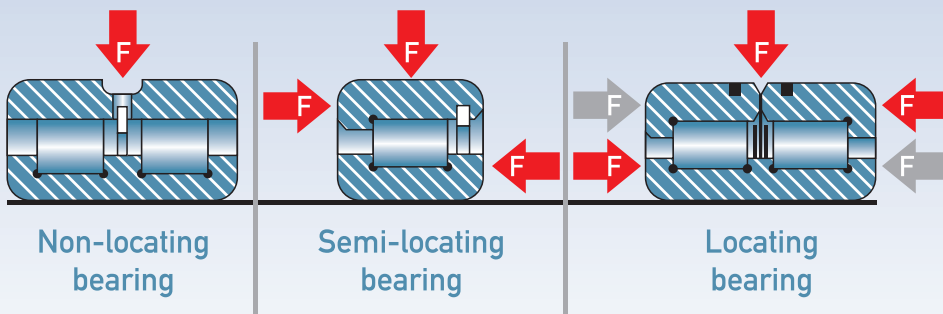
Dimensions								Designation	Radial load ratings		Speed limit	mass (kg)
d	D	B	r _{min}	s ₁	d ₁	D ₁	E		dyn. Cr (kN)	stat. C _{0r} (kN)	nG (min ⁻¹)	
20	47	18	1	1	30.3	36.9	41.47	SL18 2204	41	37.5	9500	0.16
25	52	18	1	1	35.5	41.9	46.52	SL18 2205	46	45	8500	0.18
30	62	20	1	1	42	50.6	55.19	SL18 2206	63	65	7000	0.3
35	72	23	1.1	1	47	59.3	63.97	SL18 2207	79	79	6000	0.44
40	80	23	1.1	1	54	66.3	70.94	SL18 2208	87	83	5500	0.55
45	85	23	1.1	1	57.5	69.8	74.43	SL18 2209	90	99	5000	0.59
50	90	23	1.1	1	64.4	76.7	81.4	SL18 2210	97	113	4600	0.64
55	100	25	1.5	1.5	70	84.1	88.81	SL18 2211	125	150	4200	0.87
60	110	28	1.5	1.5	76.8	93.9	99.17	SL18 2212	152	180	3800	1.18
65	120	31	1.5	1.5	82.3	100.7	106.25	SL18 2213	178	214	3500	1.57
70	125	31	1.5	1.5	87	105.2	111.45	SL18 2214	184	227	3300	1.66
75	130	31	1.5	1.5	91.8	110	116.2	SL18 2215	190	241	3200	1.75
80	140	33	2	1.5	98.6	119.3	126.3	SL18 2216	226	285	2900	2.15
85	150	36	2	1.5	104.4	126.3	133.75	SL18 2217	255	325	2800	2.74
90	160	40	2	2.5	110.2	133.3	141.15	SL18 2218	290	370	2600	3.48
95	170	43	2.1	2.5	122	147.3	155.95	SL18 2219	340	435	2400	4.17
100	180	46	2.1	2.5	127.5	154.3	163.35	SL18 2220	395	520	2300	5.13
110	200	53	2.1	4	137	168	177.6	SL18 2222	455	590	2100	7.24
120	215	58	2.1	4	150.7	183	192.9	SL18 2224	540	730	1900	9.08
130	230	64	3	5	162.3	197	207.75	SL18 2226	630	860	1800	11.25
140	250	68	3	5	173.9	211.1	222.55	SL18 2228	720	1020	1700	14.47
150	270	73	3	6	185.5	225.2	237.35	SL18 2230	830	1180	1500	18.43
160	290	80	3	6	208.7	253.4	267.1	SL18 2232	1035	1500	1450	23
170	310	86	3	7	220.3	267.4	281.9	SL18 2234	1150	1680	1400	28.65
180	320	86	4	7	232.4	279.5	294	SL18 2236	1190	1780	1300	29.8
190	340	92	4	9	243.5	295.5	311.5	SL18 2238	1310	1920	1200	35.65
200	360	98	4	9	246.6	302.4	319.4	SL18 2240	1420	2040	1200	43.12
220	400	108	4	9	277	349	366	SL18 2244	1850	2750	1000	59.5

FULL COMPLEMENT CYLINDRICAL ROLLER BEARINGS

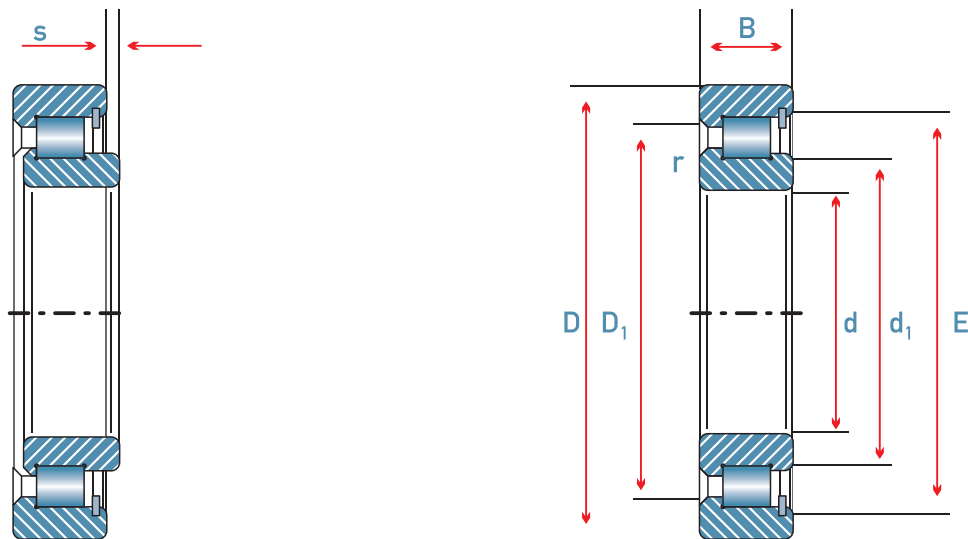
SL18 29xx SEMI LOCATING WITH SINGLE ROW



- Semi-locating bearing with rib guided rollers, consists of massive two integral flanges on the inner ring and one integral flange on the outer ring, full complement without cage
- Can support axial forces in one direction, other side acts like non-locating bearing, a retaining ring at the flangeless side of the outer ring holds the bearing assembly together
- **Dimensions:** from $d=60$ mm to $D=900$ mm



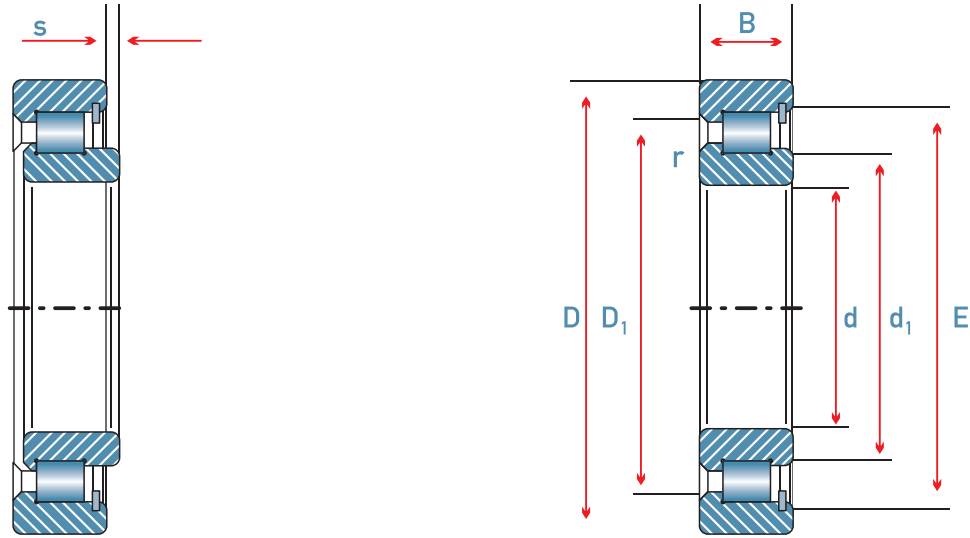
FULL COMPLEMENT CYLINDRICAL ROLLER BEARINGS



SL18 29xx SEMI LOCATING WITH SINGLE ROW

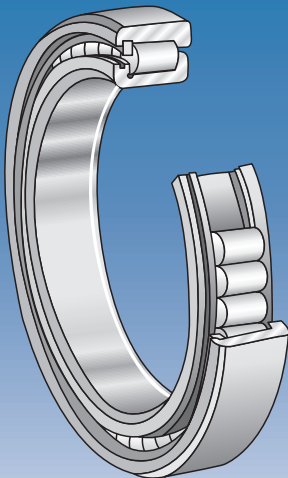
Dimensions								Designation	Radial load ratings		Speed limit	mass (kg)
d	D	B	r _{min}	s ₁	d ₁	D ₁	E		dyn. Cr (kN)	stat. C _{0r} (kN)	nG (min ⁻¹)	
60	85	16	1	1	69	74.4	78.55	SL18 2912	57	78	4500	0.29
65	90	16	1	1	75.7	81	85.24	SL18 2913	60	86	4200	0.31
70	100	19	1	1	81.2	87.8	92.31	SL18 2914	79	114	3800	0.49
75	105	19	1	1	86.3	92.8	97.41	SL18 2915	81	121	3600	0.52
80	110	19	1	1	91.4	98	102.51	SL18 2916	84	129	3400	0.55
85	120	22	1.1	1	96.4	105	109.58	SL18 2917	105	162	3200	0.81
90	125	22	1.1	1	102	110.7	115.75	SL18 2918	109	172	3000	0.84
95	130	22	1.1	1	106.7	117	122.25	SL18 2919	118	179	2900	0.86
100	140	24	1.1	1.5	113.4	125.7	130.95	SL18 2920	136	206	2700	1.14
110	150	24	1.1	1.5	124	136.2	141.5	SL18 2922	140	220	2500	1.23
120	165	27	1.1	1.5	134.8	149	154.3	SL18 2924	180	295	2300	1.73
130	180	30	1.5	2	146	161.1	167.15	SL18 2926	214	355	2100	2.33
140	190	30	1.5	2	157	174	180	SL18 2928	232	385	2000	2.42
150	210	36	2	2.5	169	189.6	196.75	SL18 2930	305	490	1800	3.77
160	220	36	2	2.5	179.7	200.5	207.6	SL18 2932	320	520	1700	4
170	230	36	2	2.5	190.6	211.3	218.45	SL18 2934	330	560	1600	4.3
180	250	42	2	2.5	200.7	224	231.85	SL18 2936	410	690	1500	6.2
190	260	42	2	2.5	211.5	238.5	244.15	SL18 2938	455	790	1400	6.5
200	280	48	2.1	3	225.5	252.4	261.6	SL18 2940	550	960	1400	9.1
220	300	48	2.1	3	246.3	273.2	282.45	SL18 2944	580	1050	1200	9.9
240	320	48	2.1	3	267.5	294.4	303.7	SL18 2948	610	1140	1200	10.6
260	360	60	2.1	3.5	291.5	323.4	333.7	SL18 2952	790	1470	1000	18.5
280	380	60	2.1	3.5	314	348.5	359.5	SL18 2956	920	1740	1000	19.7
300	420	72	3	5	338	376.9	389.45	SL18 2960	1180	2230	900	31.2
320	440	72	3	5	358.5	397.4	409.85	SL18 2964	1220	2370	850	32.9
340	460	72	3	5	379	418.7	430.5	SL18 2968	1260	2500	800	34.7
360	480	72	3	5	399.5	438.6	450.6	SL18 2972	1290	2650	750	36.4
380	520	82	4	5	426	472.1	486.7	SL18 2976	1670	3350	700	52.1
400	540	82	4	5	450	496.1	510.85	SL18 2980	1730	3560	700	54.2
420	560	82	4	5	462	509	522.95	SL18 2984	1750	3600	650	56.9
440	600	95	4	7	490	544.6	562	SL18 2988	2100	4150	600	78.1
460	620	95	4	7	504	559.6	576.3	SL18 2992	2140	4300	600	81.1

FULL COMPLEMENT CYLINDRICAL ROLLER BEARINGS

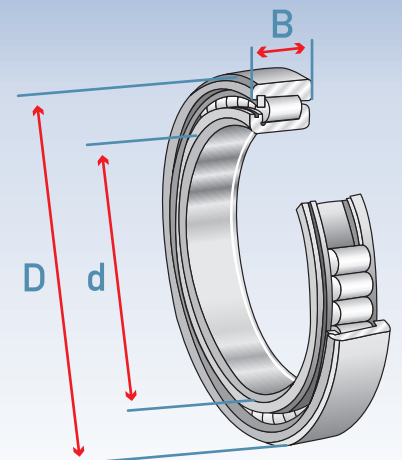
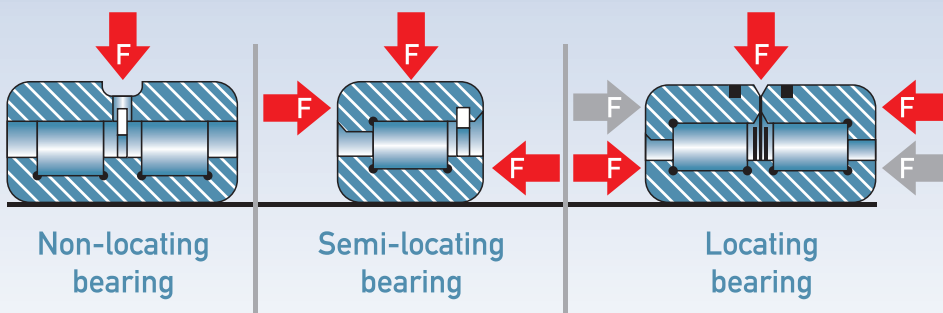


SL18 29xx SEMI LOCATING WITH SINGLE ROW

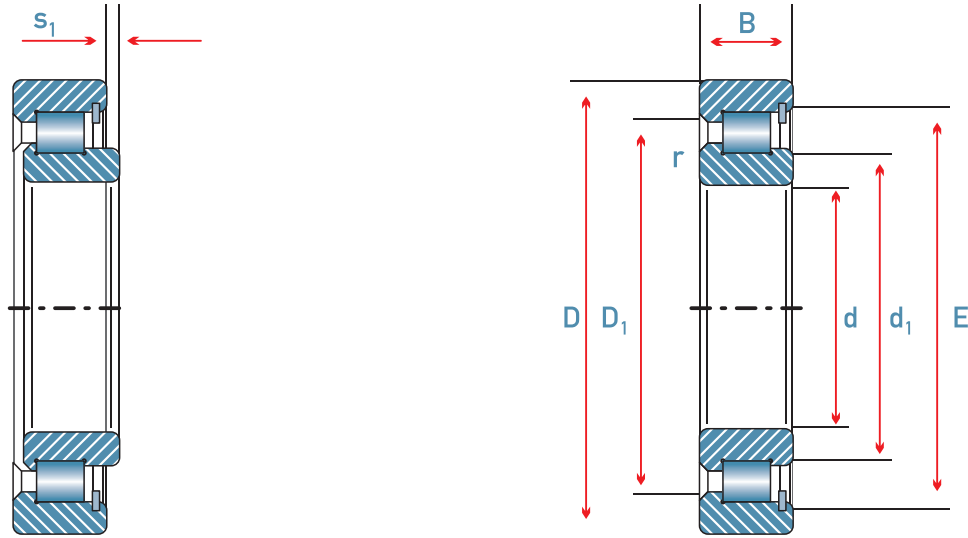
Dimensions								Designation	Radial load ratings		Speed limit	mass (kg)
d	D	B	r _{min}	s ₁	d ₁	D ₁	E		dyn. Cr (kN)	stat. C _{0r} (kN)	nG (min ⁻¹)	
480	650	100	5	7	538	596.6	614.75	SL18 2996	2410	4850	550	94.7
500	670	100	5	7	553	612.7	630	SL18 29/500	2467	5020	550	98.3
530	710	106	5	7	598	648	673	SL18 29/530	2710	6050	490	120
560	750	112	5	7	628	682	709	SL18 29/560	3028	6740	470	140
600	800	118	5	7	670	726	754	SL18 29/600	3340	7540	400	170
630	850	128	6	8	709	788	807	SL18 29/630	3720	8630	360	205
670	900	136	6	10	748	827	846	SL18 29/670	3780	8653	330	245



- Semi-locating bearing with rib guided rollers, consists of massive two integral flanges on the inner ring and one integral flange on the outer ring, full complement without cage
- Can support axial forces in one direction, other side acts like non-locating bearing, a retaining ring at the flangeless side of the outer ring holds the bearing assembly together
- **Dimensions:** from $d=20$ mm to $D=720$ mm



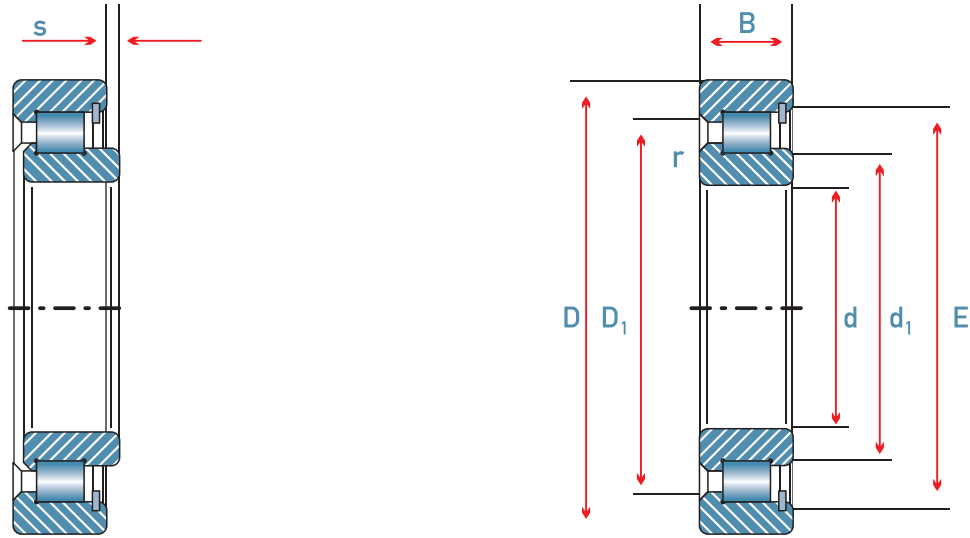
FULL COMPLEMENT CYLINDRICAL ROLLER BEARINGS



SL18 30xx SEMI LOCATING WITH SINGLE ROW

Dimensions								Designation	Radial load ratings		Speed limit	mass (kg)
d	D	B	r _{min}	s ₁	d ₁	D ₁	E		dyn. Cr (kN)	stat. C _{0r} (kN)	nG (min ⁻¹)	
20	42	16	0,6	1,5	28,8	32,8	36,81	SL18 3004	27,5	26,5	10000	0,11
25	47	16	0,6	1,5	34,6	38,5	42,51	SL18 3005	31,5	32,5	9000	0,12
30	55	19	1	2	40	45,4	49,6	SL18 3006	40,5	43	7500	0,2
35	62	20	1	2	44,9	51,3	55,52	SL18 3007	49,5	55	6500	0,26
40	68	21	1	2	50,5	57,1	61,74	SL18 3008	59	68	6000	0,31
45	75	23	1	2	55,3	62,2	66,85	SL18 3009	63	76	5500	0,4
50	80	23	1	2	59,1	67,7	72,33	SL18 3010	79	96	5000	0,43
55	90	26	1,1	2	68,5	78,8	83,54	SL18 3011	107	138	4500	0,64
60	95	26	1,1	2	71,7	82,1	86,74	SL18 3012	110	145	4200	0,69
65	100	26	1,1	2	78,1	88,4	93,09	SL18 3013	116	159	3900	0,73
70	110	30	1,1	3	81,5	95,6	100,28	SL18 3014	137	176	3600	1,02
75	115	30	1,1	3	89	103,2	107,9	SL18 3015	145	194	3400	1,06
80	125	34	1,1	4	95	111,7	117,4	SL18 3016	173	225	3200	1,43
85	130	34	1,1	4	99,4	116,1	121,95	SL18 3017	178	237	3000	1,51
90	140	37	1,5	4	106,1	124,5	130,65	SL18 3018	208	280	2800	1,97
100	150	37	1,5	4	115,7	134	140,2	SL18 3020	219	310	2600	2,15
110	170	45	2	5,5	127,3	149,3	156,7	SL18 3022	285	395	2300	3,5
120	180	46	2	5,5	138,8	160,7	168,15	SL18 3024	300	435	2200	3,8
130	200	52	2	5,5	148,6	175,5	184,4	SL18 3026	435	620	2000	5,65
140	210	53	2	5,5	162,2	189,5	198,4	SL18 3028	455	680	1900	6,04
150	225	56	2,1	7	170	198	207,45	SL18 3030	480	710	1700	7,33
160	240	60	2,1	7	184,8	215,8	225,45	SL18 3032	550	820	1600	8,8
170	260	67	2,1	7	198,1	232,7	243,55	SL18 3034	710	1070	1500	12,2
180	280	74	2,1	7	212,2	249,4	261	SL18 3036	820	1260	1400	16,1
190	290	75	2,1	9	221,8	259	270,6	SL18 3038	840	1320	1400	17
200	310	82	2,1	9	236,6	276,2	288,6	SL18 3040	960	1530	1300	21,8
220	340	90	3	9	254,6	299,2	313,1	SL18 3044	1160	1840	1200	28,4
240	360	92	3	11	277,5	322,1	336	SL18 3048	1220	2010	1100	30,9
260	400	104	4	11	304	358,4	375,97	SL18 3052	1620	2550	1000	44,5
280	420	106	4	11	319,5	372,9	390,3	SL18 3056	1670	2700	950	48
300	460	118	4	14	353,6	415,6	434,85	SL18 3060	2040	3350	850	66,6
320	480	121	4	14	369,5	430,1	449,5	SL18 3064	2100	3500	800	71,7

FULL COMPLEMENT CYLINDRICAL ROLLER BEARINGS



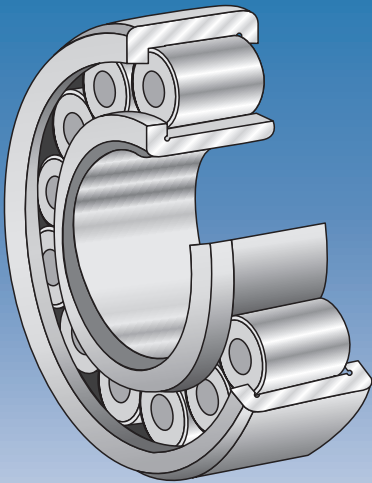
SL18 30xx SEMI LOCATING WITH SINGLE ROW

Dimensions								Designation	Radial load ratings		Speed limit	mass (kg)
d	D	B	r _{min}	s ₁	d ₁	D ₁	E		dyn. Cr (kN)	stat. C _{0r} (kN)	nG (min ⁻¹)	
340	520	133	5	16	396.1	463.9	485.65	SL18 3068	2500	4150	750	95.8
360	540	134	5	16	414	481.6	503.45	SL18 3072	2550	4350	700	101
380	560	135	5	16	431.7	499.5	521.25	SL18 3076	2600	4500	700	106
400	600	148	5	18	462.5	535.1	558.52	SL18 3080	3100	5400	650	140
420	620	150	5	14	482	555	578.2	SL18 3084	3340	6320	620	150
440	650	157	6	14	507	582	607.5	SL18 3088	3720	7290	580	175
460	680	163	6	14	526	608	635	SL18 3092	4120	8060	510	195
480	700	165	6	6	546	628	655.2	SL18 3096	4150	8340	470	205
500	720	167	6	16	568	650	676.8	SL18 30/500	4295	8630	450	215

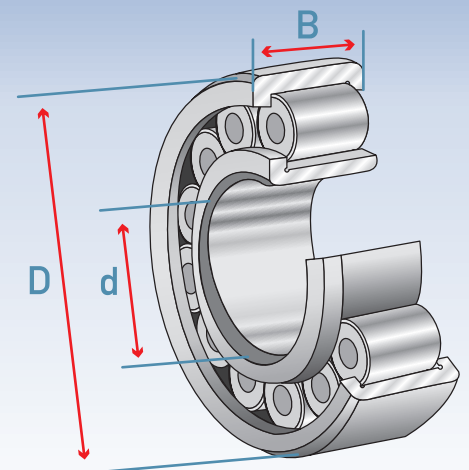
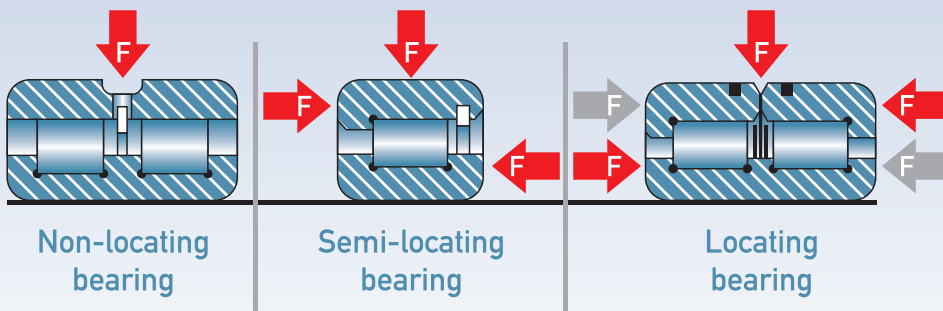
FULL COMPLEMENT CYLINDRICAL ROLLER BEARINGS

SL19 23xx

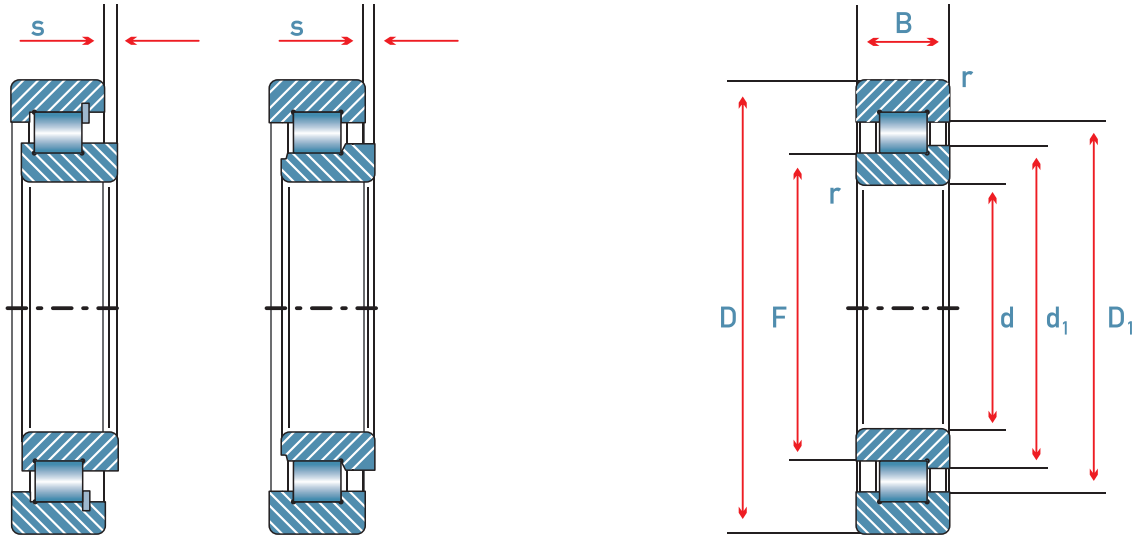
SEMI LOCATING WITH SINGLE ROW



- Are intended for very **heavily loaded, slow speed** applications
- Semi-locating bearing with rib guided rollers, consists of massive two integral flanges on the outer ring and one integral flange on the inner ring, full complement without cage
- Can support axial forces in one direction, other side acts like non-locating bearing
- This design has a self-retaining roller complement. The outer ring with its two integral flanges together with the roller complement prevent the rollers from falling out
- Very high dynamic and static load carrying capacity
- Dimensions: from $d=25$ mm to $D=540$ mm

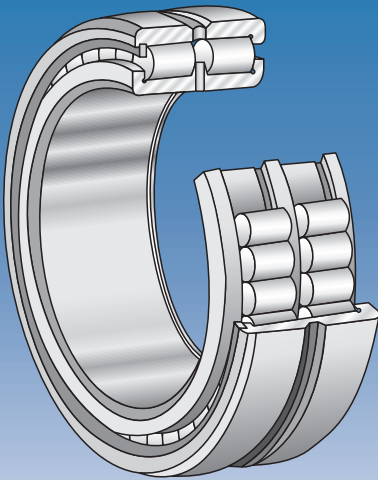


FULL COMPLEMENT CYLINDRICAL ROLLER BEARINGS

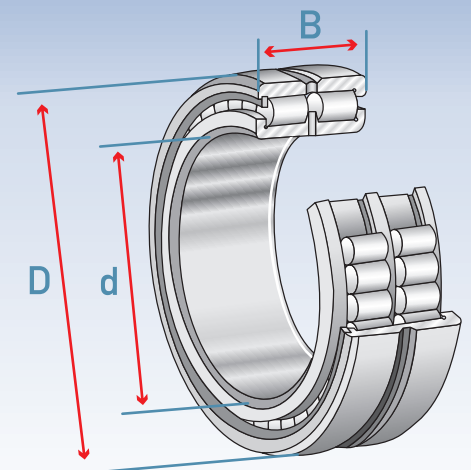
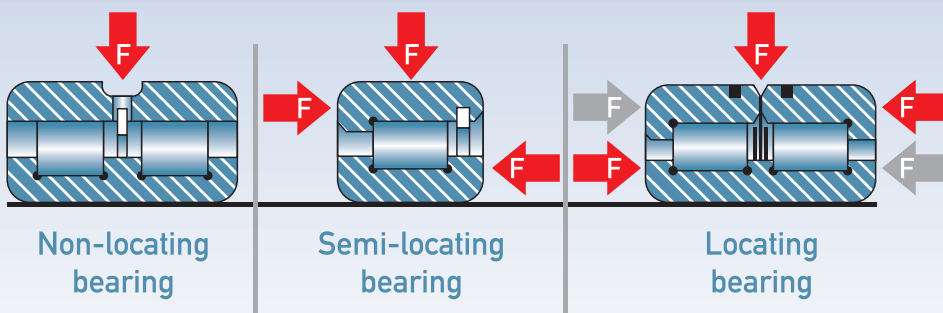


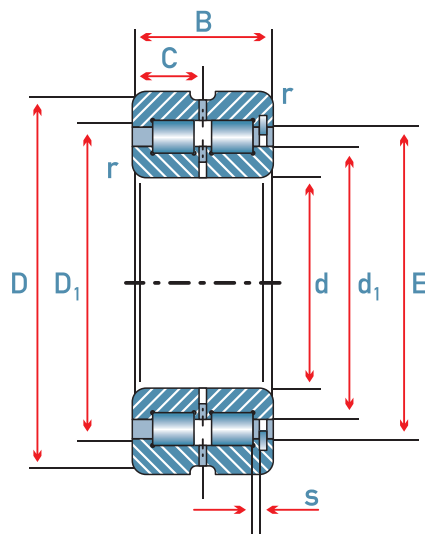
SL19 23xx SEMI LOCATING WITH SINGLE ROW

Dimensions								Designation	Radial load ratings		Speed limit	mass (kg)
d	D	B	r _{min}	s ₁	d ₁	D ₁	E		dyn. Cr (kN)	stat. C _{0r} (kN)	nG (min ⁻¹)	
25	62	24	1.1	2	36.7	47.5	31.72	SL19 2305	65	60	7500	0.37
30	72	27	1.1	2	43.5	56	38.3	SL19 2306	89	88	6500	0.56
35	80	31	1.5	2	50.7	65.8	44.68	SL19 2307	113	112	5500	0.74
40	90	33	1.5	2	57.5	75.2	51.12	SL19 2308	152	156	5000	1.01
45	100	36	1.5	3	62.5	80.3	56.1	SL19 2309	162	172	4500	1.37
50	110	40	2	3	68.3	89.7	60.72	SL19 2310	208	219	4100	1.81
55	120	43	3	3	75.5	99.3	67.11	SL19 2311	242	255	3700	2.28
60	130	46	2.1	3	82	105.8	73.62	SL19 2312	260	280	3400	2.88
65	140	48	2.1	3.5	90	116.5	80.69	SL19 2313	315	355	3200	3.52
70	150	51	2.1	3.5	93.5	121.6	84.14	SL19 2314	345	390	2900	4.33
75	160	55	2.1	3.5	101.6	131.5	91.22	SL19 2315	470	485	3000	5.3
80	170	58	2.1	3.5	109.5	142.1	98.24	SL19 2316	480	560	2600	6.32
85	180	60	3	4	118.2	150.9	107.01	SL19 2317	510	620	2400	7.34
90	190	64	3	4	117.5	152.5	105.26	SL19 2318	560	660	2300	8.83
95	200	67	3	4	126.6	161.9	114.65	SL19 2319	580	720	2200	10.2
100	215	73	3	4	132.7	172.8	119.3	SL19 2320	710	860	2100	13
110	240	80	3	5	151.1	199.9	134.27	SL19 2322	850	980	1900	17
120	260	86	3	5	164.2	213.1	147.39	SL19 2324	1000	1240	1700	22.3
130	280	93	4	6	175	226	157.9	SL19 2326	1250	1550	1650	28
140	300	102	4	6.5	187	241	168.45	SL19 2328	1450	1750	1400	35.5
150	320	108	4	6.5	202	261	182.5	SL19 2330	1550	2050	1260	42.5
170	360	120	4	7	225	294	203.55	SL19 2334	1900	2650	1100	59.5
180	380	126	4	9	243	312	221.7	SL19 2336	2000	2800	850	69.5
190	400	132	5	9	250	320	224.43	SL19 2338	2400	3150	850	80
200	420	138	5	9	266	342	238.65	SL19 2340	2600	3450	800	92
220	460	145	5	10	295	383	266.7	SL19 2344	2700	3700	730	111
240	500	155	5	10	310	403	280.55	SL19 2348	3000	4200	730	147
260	540	165	6	11	349	456	315.6	SL19 2352	3750	5150	620	177



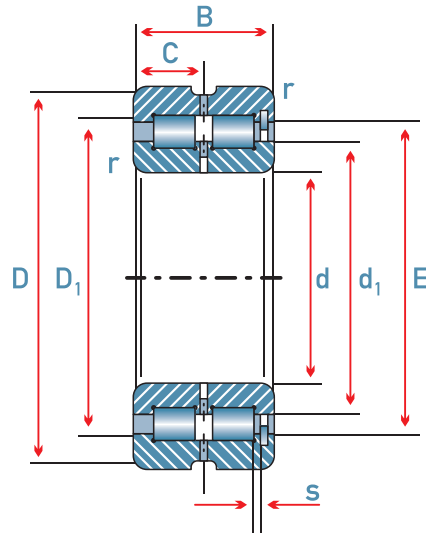
- Semi-locating bearing with rib guided rollers. have three integral flanges on the inner ring and one integral flange on the outer ring enabling the bearing to provide axial location for a shaft in one direction
- Is full complement without cage
- A retaining ring is inserted in the outer ring at the side opposite the integral flange and serves to hold the bearing together
- High dynamic and static load carrying capacity
- **Dimensions:** from $d=20$ mm to $D=600$ mm





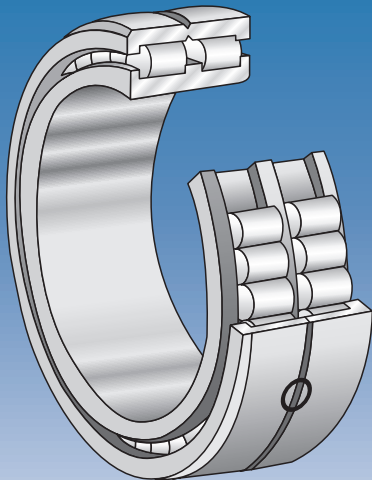
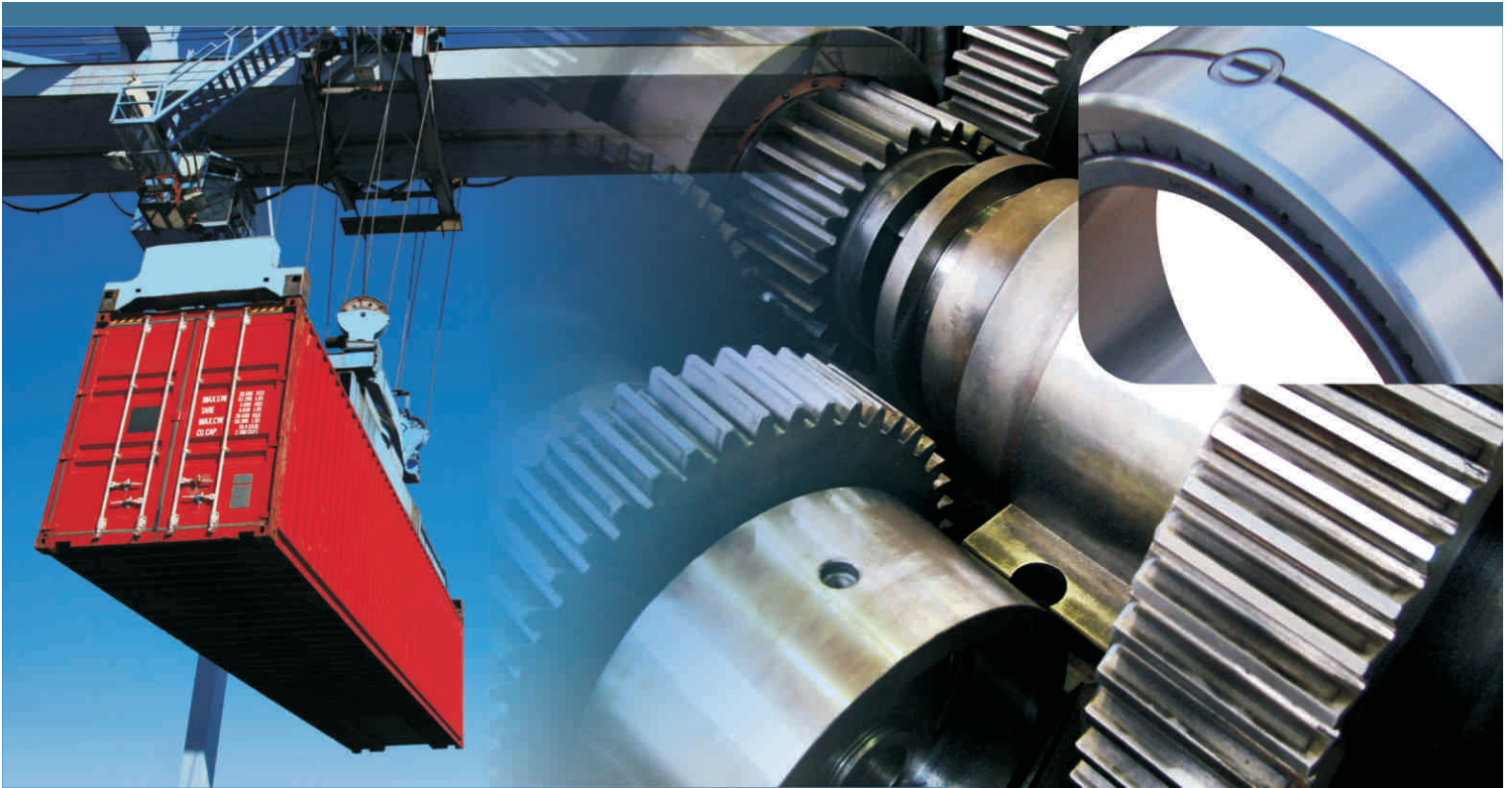
SL18 50xx SEMI LOCATING WITH DOUBLE ROW

Dimensions								Designation	Radial load ratings		Speed limit	mass (kg)
d	D	B	r _{min}	s ₁	d ₁	D ₁	E		dyn. Cr (kN)	stat. C _{0r} (kN)	nG (min ⁻¹)	
20	42	30	0,6	1	28,4	33,3	36,81	SL18 5004	47,5	53	10000	0,2
25	47	30	0,6	1	34,5	39	42,51	SL18 5005	54	65	9000	0,23
30	55	34	1	1,5	40	45,3	49,6	SL18 5006	70	85	7500	0,35
35	62	36	1	1,5	44,9	51,2	55,52	SL18 5007	85	109	6500	0,46
40	68	38	1	1,5	50,5	57,2	61,74	SL18 5008	101	136	6000	0,56
45	75	40	1	1,5	55,3	62,6	66,85	SL18 5009	108	151	5500	0,71
50	80	40	1	1,5	59,1	67,6	72,33	SL18 5010	135	191	5000	0,76
55	90	46	1,1	1,5	68,5	78,7	83,54	SL18 5011	184	275	4500	1,16
60	95	46	1,1	1,5	71,7	81,9	86,74	SL18 5012	189	290	4200	1,24
65	100	46	1,1	1,5	78,1	88,3	93,09	SL18 5013	199	320	3300	1,32
70	110	54	1,1	3	81,5	95,7	100,28	SL18 5014	235	355	3600	1,85
75	115	54	1,1	3	89	102,9	107,9	SL18 5015	248	390	3400	1,93
80	125	60	1,1	3,5	95	111,7	117,4	SL18 5016	295	450	3200	2,59
85	130	60	1,1	3,5	99	116,1	121,95	SL18 5017	305	475	3000	2,72
90	140	67	1,5	4	106,1	124,4	130,65	SL18 5018	355	560	2800	3,62
100	150	67	1,5	4	115,7	134	140,2	SL18 5020	375	620	2600	3,94
110	170	80	2	5	127,3	149,3	156,7	SL18 5022	490	790	2300	6,32
120	180	80	2	5	138,8	160,7	168,15	SL18 5024	520	870	2200	6,77
130	200	95	2	5	148,6	175,5	184,4	SL18 5026	740	1230	2000	10,2
140	210	95	2	5	162,6	189,5	198,4	SL18 5028	780	1360	1900	11,1
150	225	100	2	6	170	198	207,45	SL18 5030	820	1420	1700	13,3
160	240	109	2,1	6	184	216	225	SL18 5032	895	1620	1500	15,8
170	260	122	2,1	6	198	232	243	SL18 5034	1230	2120	1400	23
180	280	136	2,1	8	212	249	260,5	SL18 5036	1420	2500	1300	30,5
190	290	136	2,1	8	222	258	270	SL18 5038	1470	2600	1300	31,5
200	310	150	2,1	9	236	276	288	SL18 5040	1860	3050	1200	41
220	340	160	3	9	255	300	313,5	SL18 5044	2010	3800	1100	52,5
240	360	160	3	9	278	322	335,6	SL18 5048	2120	3900	1000	56
260	400	190	4	10	304	357	373,5	SL18 5052	2860	5200	900	85,5
280	420	190	4	10	320	372	389	SL18 5056	2920	5800	850	90,5
300	460	218	4	9	352	418	432	SL18 5060	3250	6550	750	130
320	480	218	4	9	370	434	447,5	SL18 5064	3690	6950	700	135

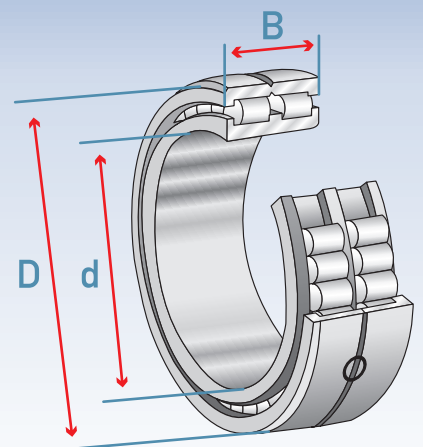
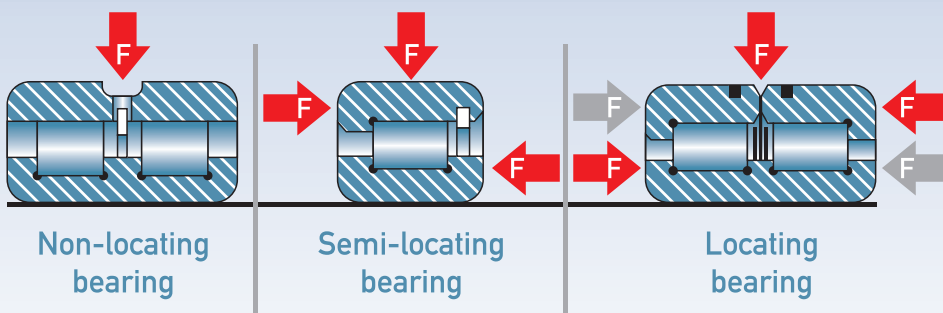


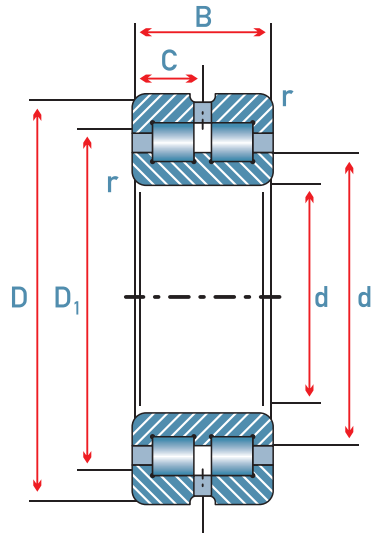
SL18 50xx SEMI LOCATING WITH DOUBLE ROW

Dimensions								Designation	Radial load ratings		Speed limit	mass (kg)
d	D	B	r_{\min}	s_1	d_1	D_1	E		dyn. C_r (kN)	stat. C_{0r} (kN)	nG (min ⁻¹)	
340	520	243	5	11	395	468	486	SL18 5068	4400	8300	670	185
360	540	243	5	11	412	486	504	SL18 5072	4460	8650	630	195
380	560	243	5	11	431	504	532	SL18 5076	4680	9150	600	200
400	600	272	5	11	460	540	560	SL18 5080	5500	11000	560	270



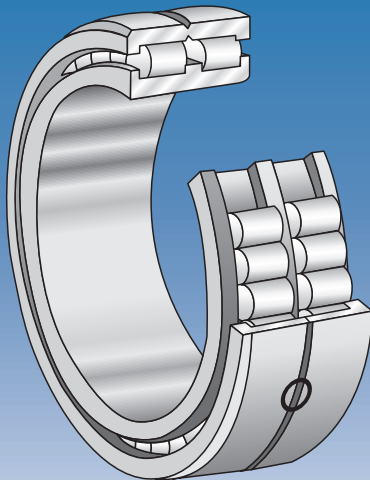
- Locating bearing with rib guided rollers, consists of four to six integral flanges on the inner ring and one integral flange ring and a loose flange ring on the outer ring, full complement without cage
- Can support axial forces in both directions
High dynamic and static load carrying capacity
- **Dimensions:** from $d=150$ mm to $D=650$ mm



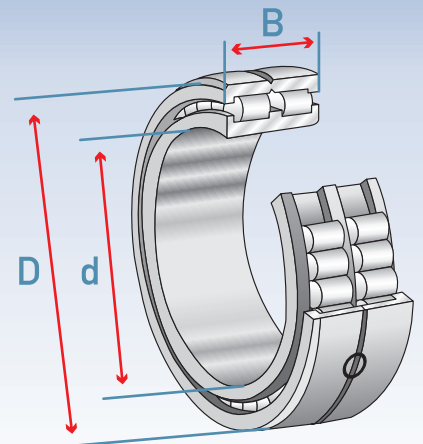
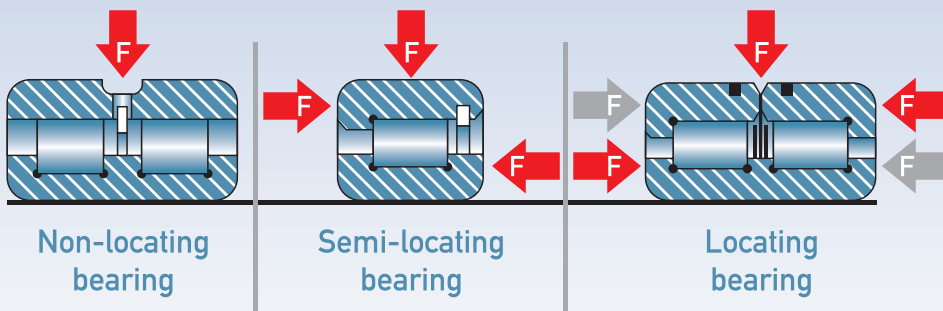


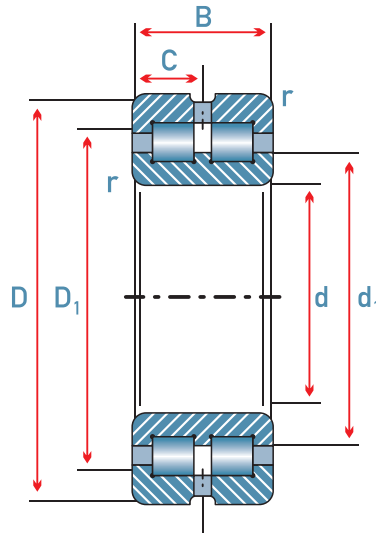
SL01 48xx LOCATING WITH DOUBLE ROW

Dimensions						Designation	Radial load ratings		Speed limit	mass (kg)
d	D	B	r _{min}	d ₁	D ₁		dyn. Cr (kN)	stat. C _{0r} (kN)	nG (min ⁻¹)	
150	190	40	1.1	165.1	174.2	SL01 4830	237	550	1900	2.9
160	200	40	2.1	173.7	182.8	SL01 4832	243	580	1800	3.1
170	215	40	1.1	186.3	197	SL01 4834	265	620	1700	4.1
180	225	45	1.1	199.1	209.8	SL01 4836	275	660	1600	4.3
190	240	50	1.5	207.6	220.7	SL01 4838	315	750	1500	5.65
200	250	50	1.5	218.1	231.2	SL01 4840	325	790	1400	5.9
220	270	50	1.5	239.1	252.3	SL01 4844	340	870	1300	6.4
240	300	60	2	159.5	276.7	SL01 4848	520	1290	1200	10
260	320	60	2	281.8	298.8	SL01 4852	540	1400	1100	11
280	350	69	2	306.8	326.4	SL01 4856	710	1860	1000	16
300	300	80	2.1	327.9	349.9	SL01 4860	630	2120	950	23
320	400	80	2.1	350.9	372.9	SL01 4864	660	2280	900	24
340	420	80	2.1	368.1	390.1	SL01 4868	680	2390	850	25.5
360	440	80	2.1	391	413.2	SL01 4872	910	2550	800	27
380	480	100	2.1	419	447.2	SL01 4876	1330	3550	750	45.5
400	500	100	2.1	433.8	462	SL01 4880	1360	3700	700	46.5
420	520	100	2.1	458	482	SL01 4884	1400	4080	520	49.5
440	540	100	2.1	480	504	SL01 4888	1450	4200	500	52
460	580	118	3	505	531	SL01 4892	1590	4600	485	76
480	600	118	3	529	555	SL01 4896	1600	4850	440	78.5
500	620	118	3	546	571	SL01 48/500	1650	4980	390	81.5
530	650	118	3	577	603	SL01 48/530	1700	5420	375	84



- Locating bearing with rib guided rollers, consists of four to six integral flanges on the inner ring and one integral flange ring and a loose flange ring on the outer ring, full complement without cage
- Can support axial forces in both directions
High dynamic and static load carrying capacity
- **Dimensions:** from $d=60$ mm to $D=710$ mm



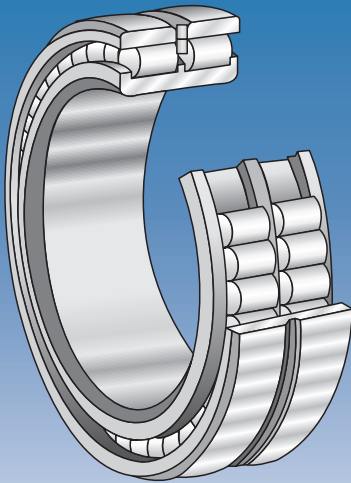


SL01 49xx SEMI LOCATING WITH DOUBLE ROW

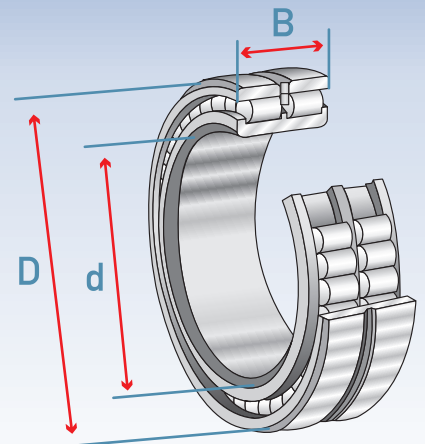
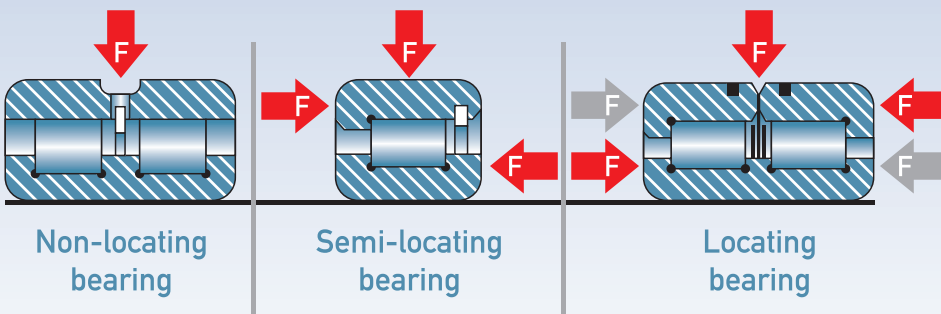
Dimensions						Designation	Radial load ratings		Speed limit	mass (kg)
d	D	B	r _{min}	d ₁	D ₁		dyn. Cr (kN)	stat. C _{0r} (kN)	nG (min ⁻¹)	
60	85	25	1	70.3	72	SL01 4912	71	125	4500	0.49
70	109	30	1	82.5	100	SL01 4914	108	189	3800	0.78
80	116	30	1	91.4	110	SL01 4916	115	211	3400	0.88
90	156	35	1.1	103	125	SL01 4918	156	295	3000	1.35
100	198	40	1.1	116.4	140	SL01 4920	198	380	2700	1.95
110	205	40	1.1	125	150	SL01 4922	204	410	2500	2.15
120	230	45	1.1	138.6	165	SL01 4924	220	455	2000	2.95
130	270	50	1.5	148.4	180	SL01 4926	265	530	2100	3.95
140	280	50	1.5	159	190	SL01 4928	275	570	2000	4.2
150	425	60	2	171.8	210	SL01 4930	415	840	1800	6.65
160	440	60	2	184.2	220	SL01 4932	435	900	1700	7
170	450	60	2	193.1	230	SL01 4934	445	950	1600	7.35
180	590	69	2	204.9	250	SL01 4936	580	1230	1500	10.8
190	600	69	2	215	260	SL01 4938	590	1290	1400	11.2
200	705	80	2.1	230.5	280	SL01 4940	690	1480	1400	15.8
220	730	80	2.1	248	300	SL01 4944	720	1590	1200	17.2
240	755	80	2.1	270.6	320	SL01 4948	750	1740	1200	18.5
260	1130	100	2.1	294.5	360	SL01 4952	1120	2500	1000	32
280	1175	100	2.1	316.5	380	SL01 4956	1170	2700	1000	34
300	1680	118	3	340.7	420	SL01 4960	1650	3800	900	53
320	1730	118	3	367.5	440	SL01 4964	1720	4100	850	56
340	1790	118	3	385.3	460	SL01 4968	1770	4300	800	59
360	1850	118	3	404	480	SL01 4972	1810	4500	750	62.1
380	2290	140	4	430.2	520	SL01 4976	2280	5600	700	92.4
400	2390	140	4	450.5	540	SL01 4980	2340	5900	700	96.5
420	2450	140	4	470	560	SL01 4984	2450	6320	680	99.5
440	3020	160	4	503	600	SL01 4988	3020	7520	620	137
460	3060	160	4	512	620	SL01 4992	3060	7750	600	140
480	3350	170	5	537	650	SL01 4996	3350	8400	560	165
500	3410	170	5	568	670	SL01 49/500	3410	8860	540	175
530	3980	180	5	588	710	SL01 49/530	3980	10300	500	200

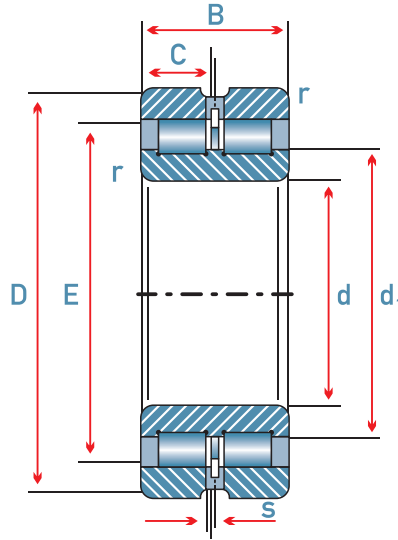
FULL COMPLEMENT CYLINDRICAL ROLLER BEARINGS

SL02 48xx NON-LOCATING WITH DOUBLE ROW



- Non-locating bearing with rib guided rollers, consists of four to six integral flanges on the inner ring and a flangeless outer ring, full complement without cage
- Outer and inner ring can support axial forces in both directions
- High dynamic and static load carrying capacity
- **Dimensions:** from $d=150$ mm to $D=650$ mm



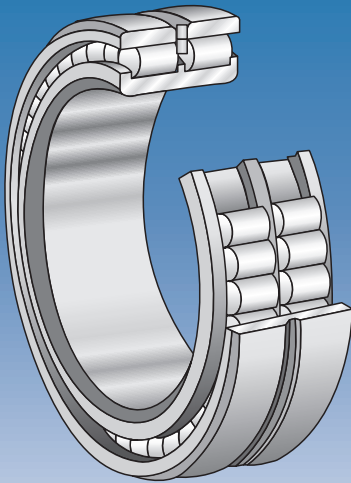


SL02 48xx NON-LOCATING WITH DOUBLE ROW

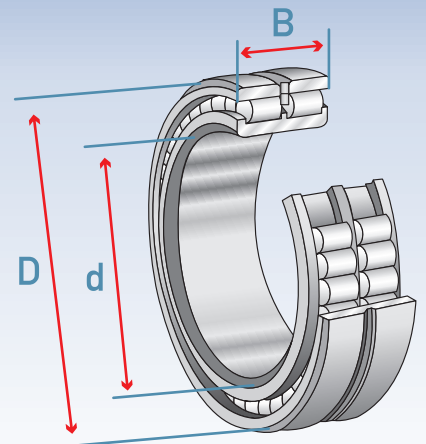
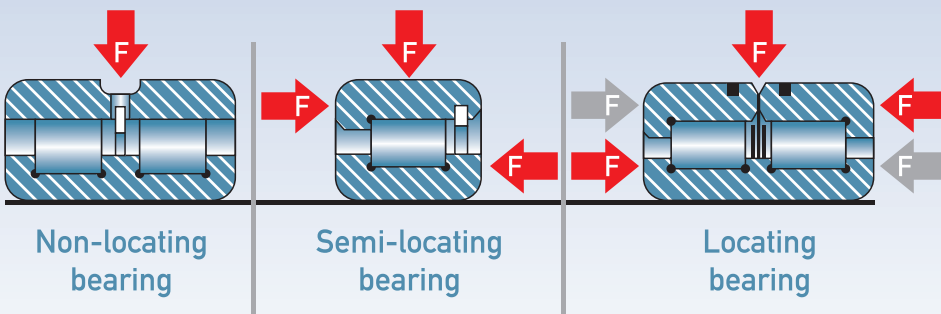
Dimensions							Designation	Radial load ratings		Speed limit	mass (kg)
d	D	B	r _{min}	s ₁	d ₁	E		dyn. Cr (kN)	stat. C _{0r} (kN)	nG (min ⁻¹)	
150	190	40	2	2	165.1	178.3	SL02 4830	237	550	1900	2.9
160	200	40	1.1	2	173.7	186.9	SL02 4832	243	580	1800	3
170	215	40	1.1	3	186.3	201.3	SL02 4834	265	620	1700	3.95
180	225	45	1.1	3	199.1	214.1	SL02 4836	275	650	1600	4.15
190	240	50	1.5	4	207.6	225	SL02 4838	315	750	1500	5.45
200	250	50	1.5	4	218.1	235.5	SL02 4840	325	790	1400	5.7
220	270	50	1.5	4	239.1	256.5	SL02 4844	340	870	1300	6.2
240	300	60	2	4	259.5	281.9	SL02 4848	520	1290	1200	9.9
260	320	60	2	4	281.8	304.2	SL02 4852	540	1400	1100	10.6
280	350	69	2	4	306.8	332.4	SL02 4856	710	1860	1000	15.6
300	380	80	2.1	6	327.9	356.7	SL02 4860	830	2120	950	22
320	400	80	2.1	6	350.9	379.7	SL02 4864	860	2280	900	23.5
340	420	80	2.1	6	368.1	369.9	SL02 4868	880	2390	850	25
360	440	80	2.1	6	391	419.8	SL02 4872	910	2550	800	26
380	480	100	2.1	6	419	455.8	SL02 4876	1330	3550	750	44
400	500	100	2.1	6	433.8	470.59	SL02 4880	1360	3700	700	45.8
420	520	100	2.1	6	458	492.6	SL02 4884	1320	3950	650	49.5
440	540	100	2.1	6	480	563.5	SL02 4888	1450	4200	500	52
460	580	118	3	7	505	543.3	SL02 4892	1590	4600	485	76
480	600	118	3	7	529	567.3	SL02 4896	1600	4850	440	78.5
500	620	118	3	7	546	583.5	SL02 48/500	1650	4980	390	81.5
530	650	118	3	7	577	615	SL02 48/530	1700	5420	375	84

FULL COMPLEMENT CYLINDRICAL ROLLER BEARINGS

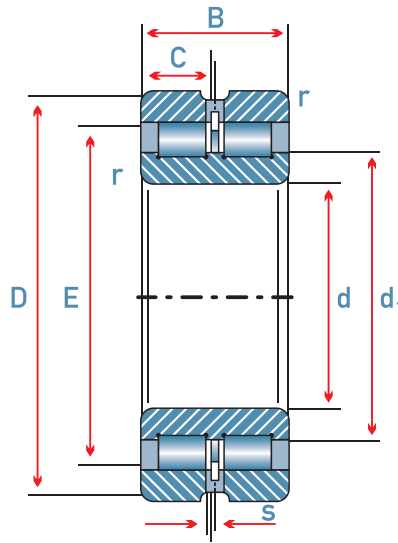
SL02 49xx NON-LOCATING WITH DOUBLE ROW



- Non-locating bearing with rib guided rollers, consists of four to six integral flanges on the inner ring and a flangeless outer ring, full complement without cage
- Outer and inner ring can support axial forces in both directions
- High dynamic and static load carrying capacity
- **Dimensions:** from $d=60$ mm to $D=710$ mm



FULL COMPLEMENT CYLINDRICAL ROLLER BEARINGS



SL02 49xx NON-LOCATING WITH DOUBLE ROW

Dimensions							Designation	Radial load ratings		Speed limit	mass (kg)
d	D	B	r _{min}	s ₁	d ₁	E		dyn. Cr (kN)	stat. C _{0r} (kN)	nG (min ⁻¹)	
60	85	25	1	1	70.3	77.51	SL02 4912	71	125	4500	0.47
70	100	30	1	1	82.5	91.87	SL02 4914	108	189	3800	0.75
80	110	30	1	1	91.4	100.78	SL02 4916	115	211	3400	0.88
90	125	35	1.1	1.5	103	115.2	SL02 4918	155	295	3000	1.3
100	140	40	1.1	2	116.4	129.6	SL02 4920	196	380	2700	1.9
110	150	40	1.1	2	125	138.2	SL02 4922	204	410	2500	2.1
120	165	45	1.1	3	138.6	153.55	SL02 4924	228	455	2300	2.85
130	180	50	1.5	4	149.5	165.4	SL02 4926	265	530	2100	3.8
140	190	50	1.5	4	160	175.9	SL02 4928	275	570	2000	4.1
150	210	60	2	4	171.8	192.77	SL02 4930	415	840	1800	6.45
160	220	60	2	4	184.2	206.16	SL02 4932	435	900	1700	6.8
170	230	60	2	4	193.1	215.08	SL02 4934	445	950	1600	7.1
180	250	69	2	4	204.9	230.5	SL02 4936	580	1230	1500	10.5
190	260	69	2	4	215	240.7	SL02 4938	590	1290	1400	10.9
200	280	80	2.1	5	230.5	259.34	SL02 4940	690	1480	1400	15.3
220	300	80	2.1	5	248	276.52	SL02 4944	720	1590	1200	16.7
240	320	80	2.1	5	270.6	299.46	SL02 4948	750	1740	1200	17.9
260	360	100	2.1	6	294.5	331.33	SL02 4952	1120	2500	1000	31.2
280	380	100	2.1	6	316.5	353.34	SL02 4956	1170	2700	1000	33.1
300	420	118	3	6	340.7	385.51	SL02 4960	1650	3800	900	51.9
320	440	118	3	6	367.5	412.27	SL02 4964	1720	4100	850	54.9
340	480	118	3	6	385.3	430.11	SL02 4968	1770	4300	800	57.8
360	480	118	3	6	404	447.95	SL02 4972	1810	4500	750	60.8
380	520	140	4	7	430.2	481.35	SL02 4976	2280	5600	700	90.5
400	540	140	4	7	450.5	501.74	SL02 4980	2340	5900	700	94.5
420	560	140	4	7	470	522.5	SL02 4984	2290	6200	650	98.5
440	600	160	4	7	503	563.5	SL02 4988	3020	7550	470	137
460	620	160	4	7	512	577	SL02 4992	3100	7700	420	140
480	650	170	5	8	537	605.5	SL02 4996	3350	8400	390	165
500	670	170	5	8	568	631.5	SL02 49/500	3410	8850	365	175
530	710	180	5	8	588	663	SL02 49/530	3950	10250	345	200

ALSO AVAILABLE AT



DEEP GROOVE BALL BEARINGS



RANGE
3-1700 mm

NEEDLE ROLLER BEARINGS



RANGE
5-380 mm

SELF-ALIGNING BALL BEARINGS



RANGE
5-240 mm

SPHERICAL ROLLER BEARINGS



RANGE
20-1800 mm

ANGULAR CONTACT BALL BEARINGS



RANGE
10-1250 mm

TAPERED ROLLER BEARINGS



RANGE
15-1270 mm

CYLINDRICAL ROLLER BEARINGS



RANGE
15-1900 mm

THRUST BALL BEARINGS



RANGE
10-670 mm

VISIT
www.mtk-bearings.com
FOR
STOCKLIST
TECHNICAL REQUIREMENTS
PRODUCT CATALOGUES

MTK+

MTK+

YOUR ONE-STOP

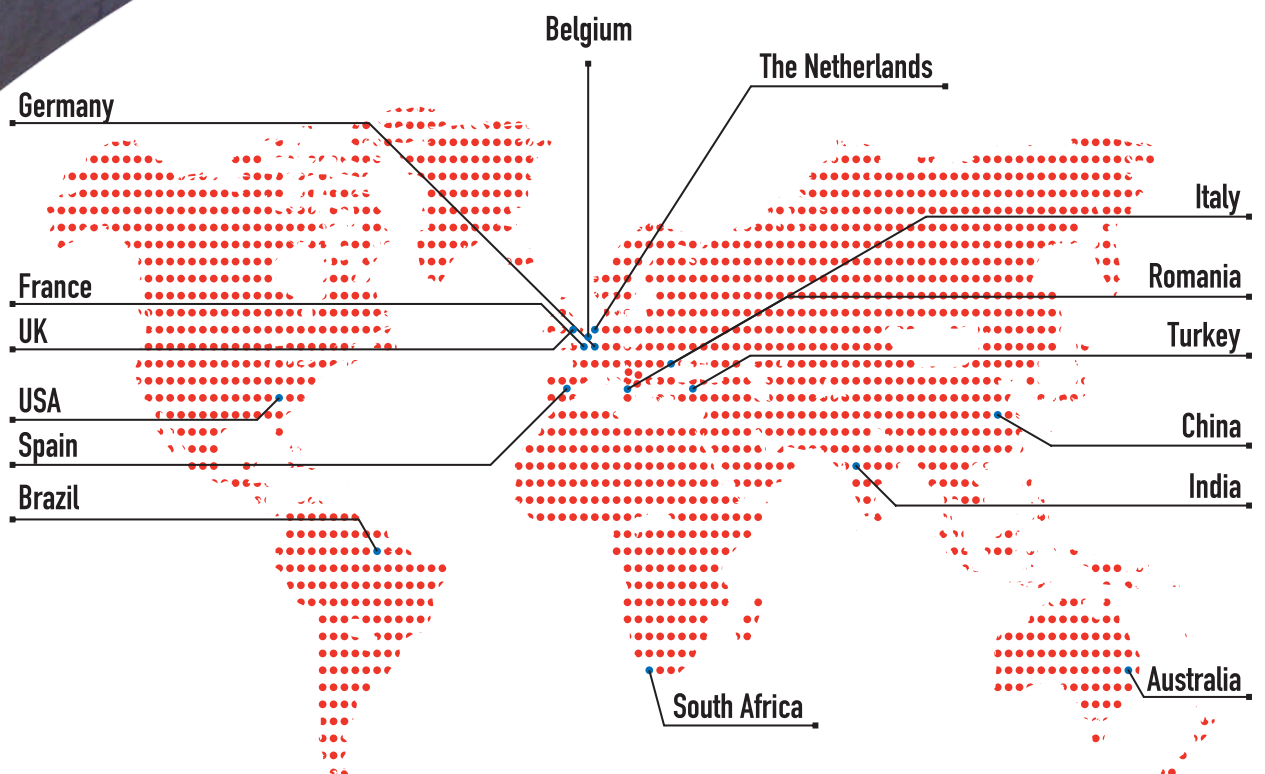


BEARING SUPPLIER

mtk-bearings.com



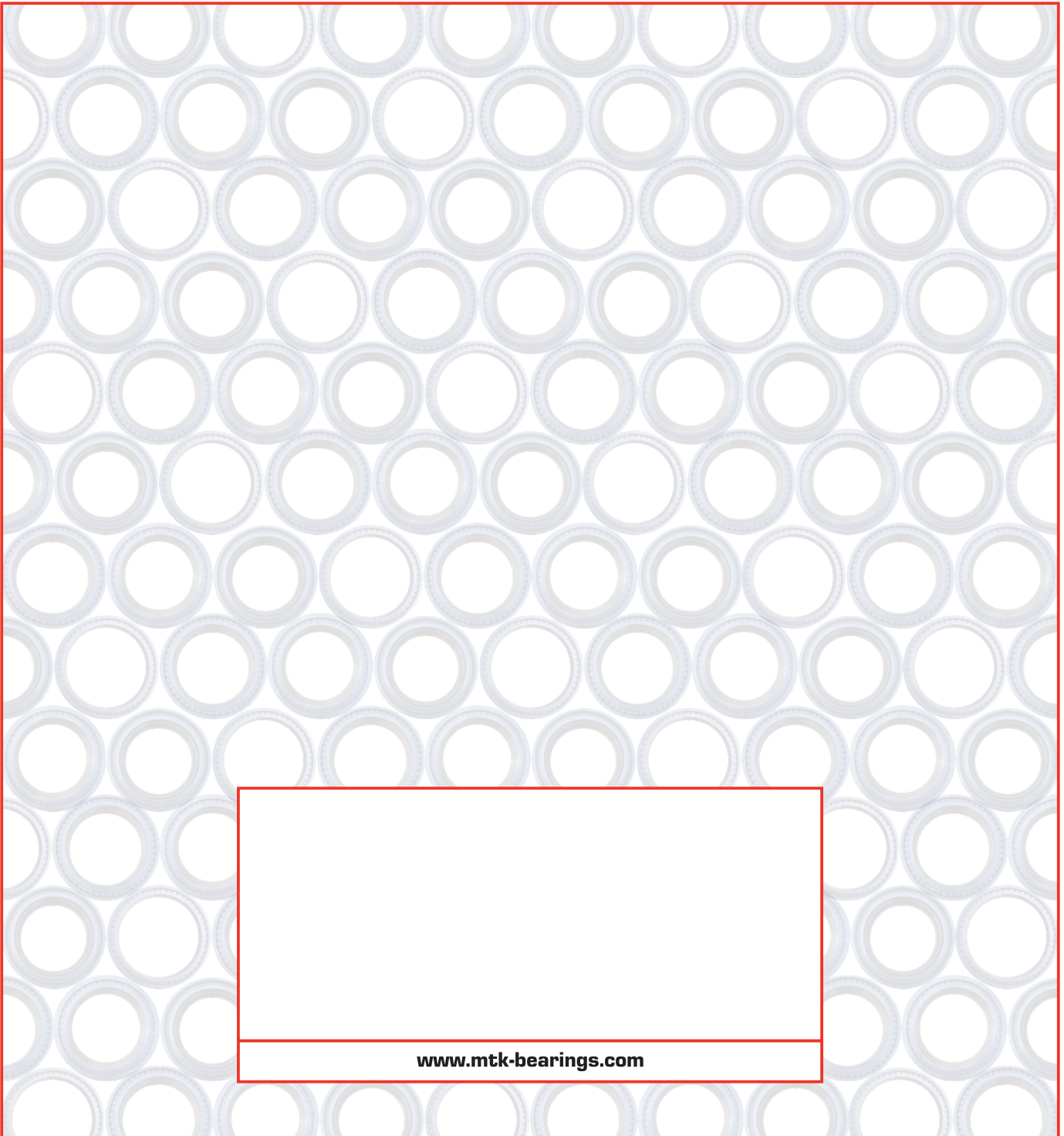
NETWORK



- ALGERIA
- ARGENTINA
- AUSTRALIA
- AUSTRIA
- BANGLADESH
- BELGIUM
- BRAZIL
- BULGARIA
- CANADA
- CHILE
- CHINE
- COLOMBIA
- CYPRUS
- CZECH REP.
- DENMARK
- EGYPT
- ESTONIA
- ETHIOPIA
- FINLAND
- FRANCE
- GERMANY
- GREECE
- HONG KONG
- HUNGARY
- ICELAND
- INDIA
- IRAN
- IRELAND
- ISRAEL
- ITALY
- KOREA
- LATVIA
- LITHUANIA
- LUXEMBOURG
- MALTA
- MEXICO
- MOROCCO
- NETHERLANDS
- NEW ZEALAND
- NIGERIA
- NORWAY
- PAKISTAN
- POLAND
- PORTUGAL
- ROMANIA
- RUSSIA
- SAUDI ARABIA
- SLOVAKIA
- SLOVENIA
- SOUTH AFRICA
- SPAIN
- SWEDEN
- SWITZERLAND
- TANZANIA
- TUNUSIA
- TURKEY
- U.S.A
- UKRAINE
- U. ARAB EMIRATES
- UNITED KINGDOM
- UZBEKISTAN
- VENEZUELA
- ZIMBABWE



Full Complement Cylindrical Roller Bearings



www.mtk-bearings.com